

# Broil King®

---

---



## Broil King®

9239-82

9239-83

9239-86

---

---

*Onward*  
MANUFACTURING COMPANY

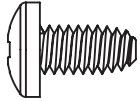

SINCE 1906

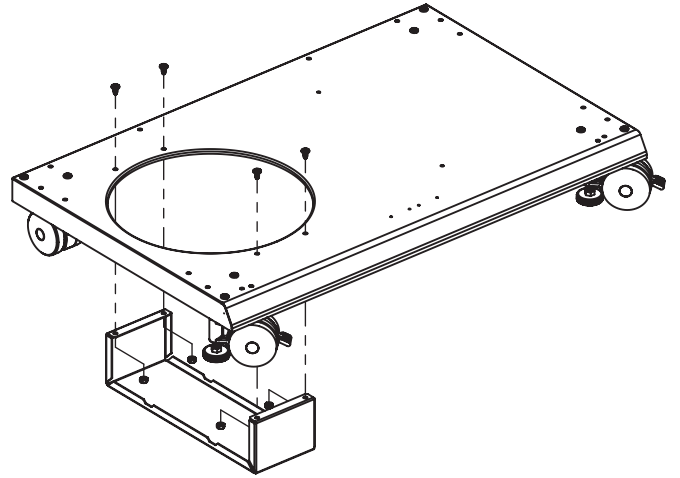
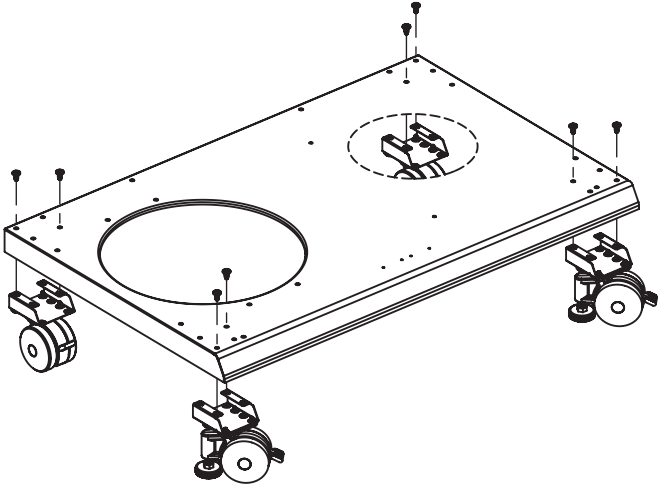
1000 EAST MARKET STREET  
HUNTINGTON, INDIANA, 46750, USA

50084-S57EU Rev E 01/15

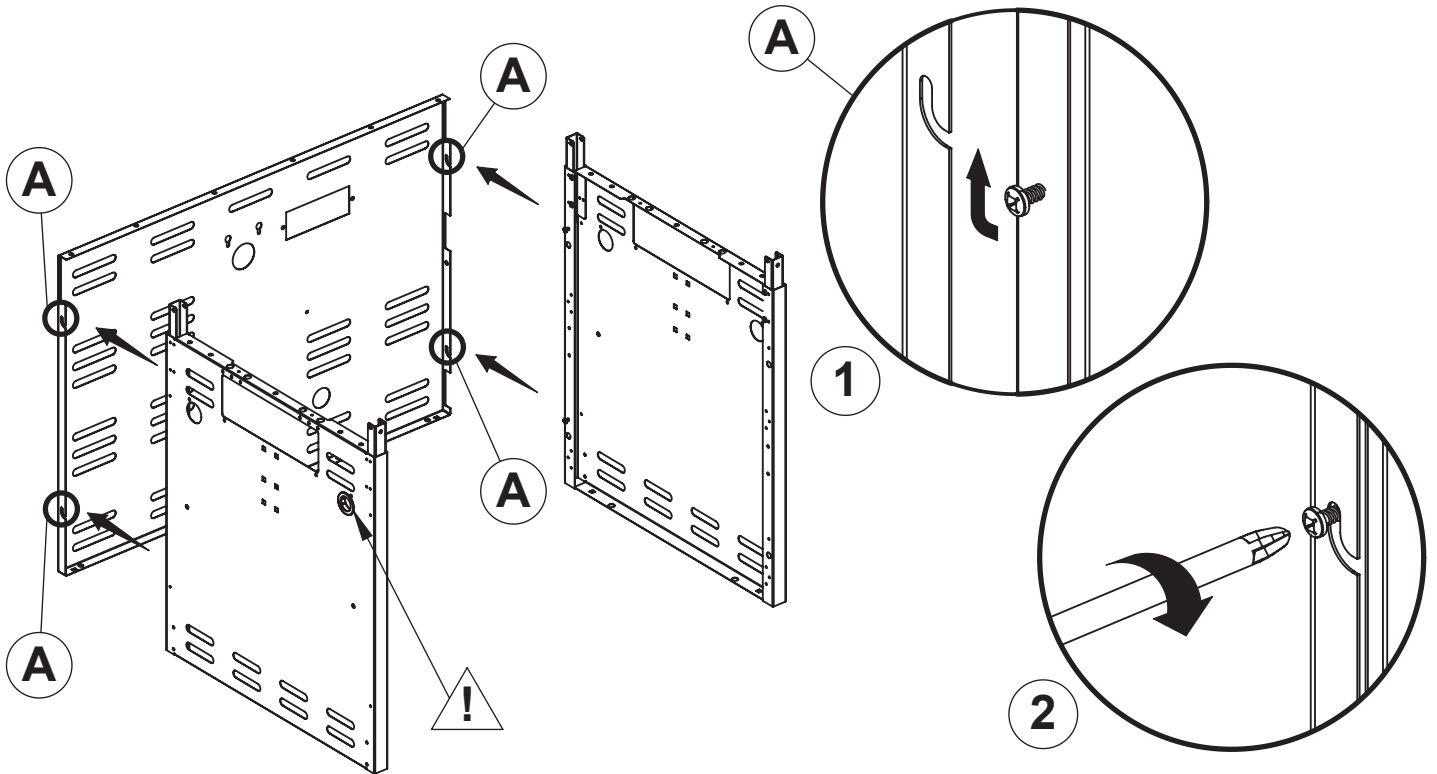


1

(12)  (4) 

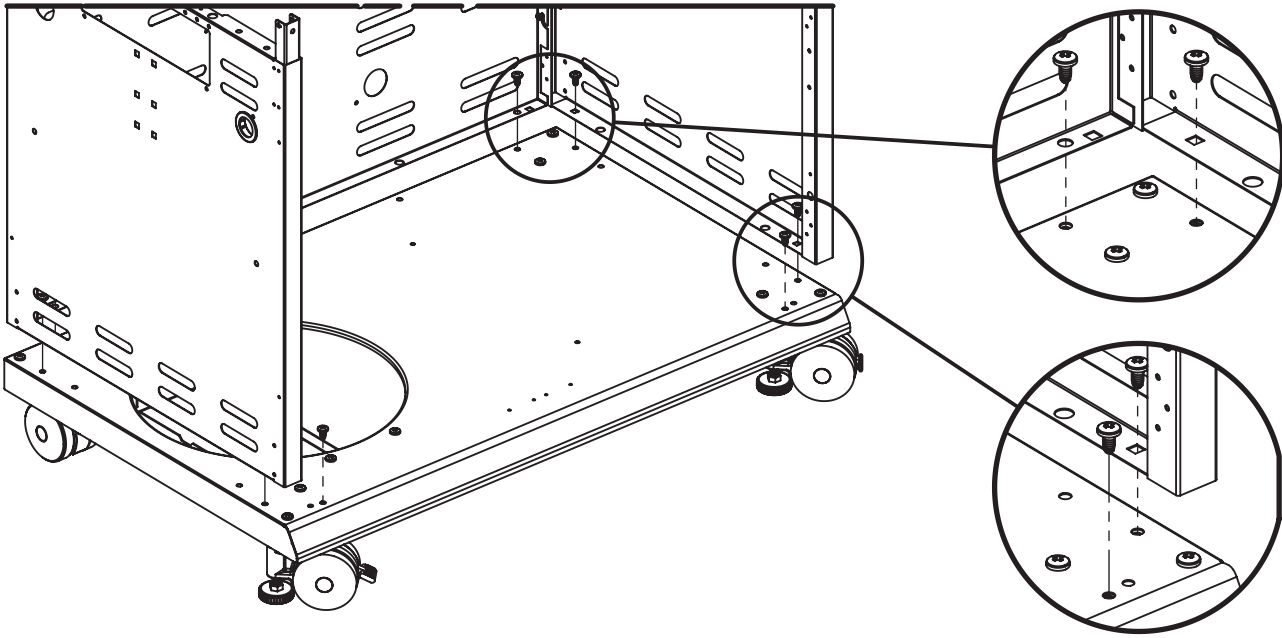
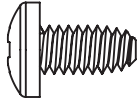


2



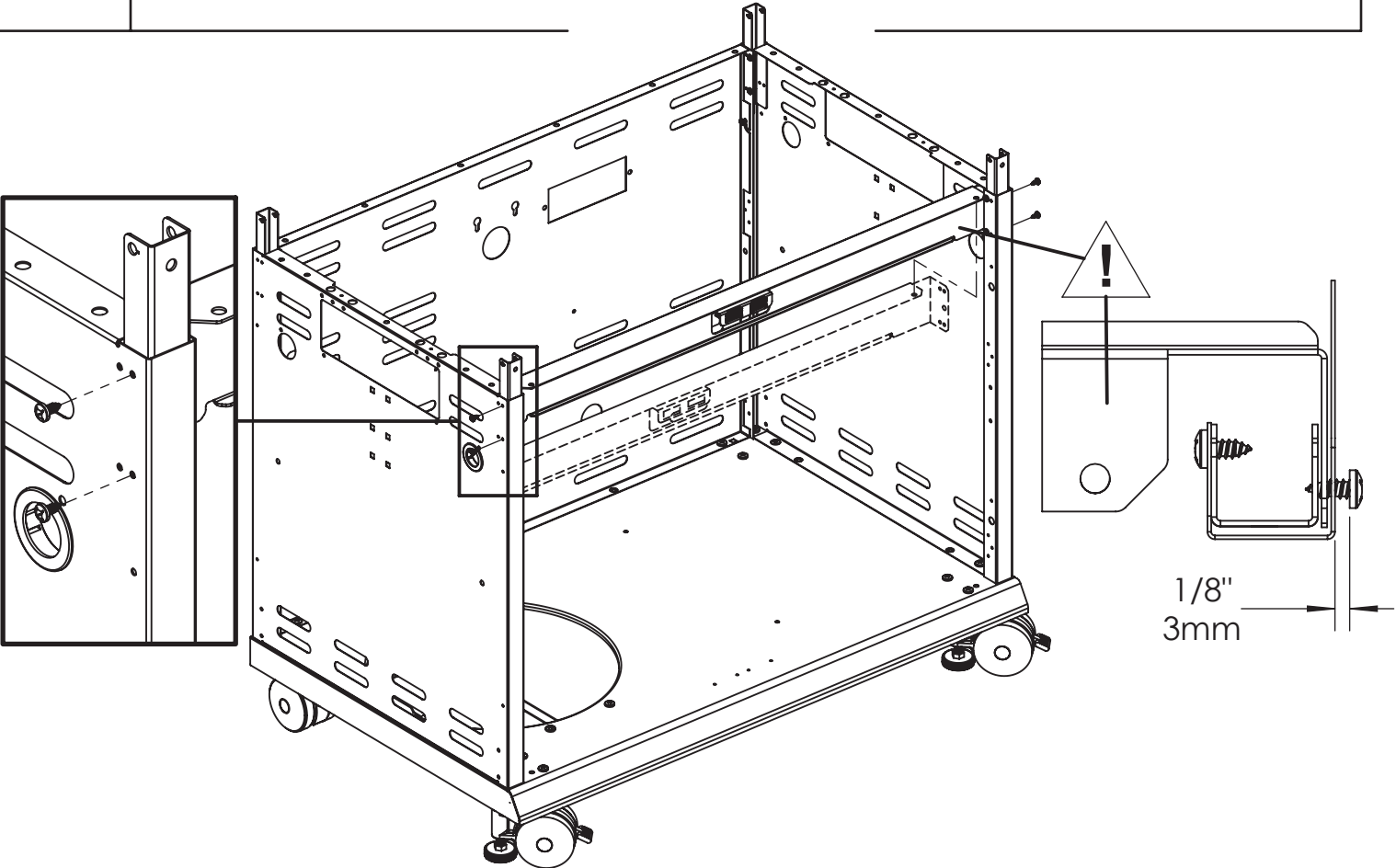
**3**

(8)



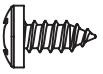
**4**

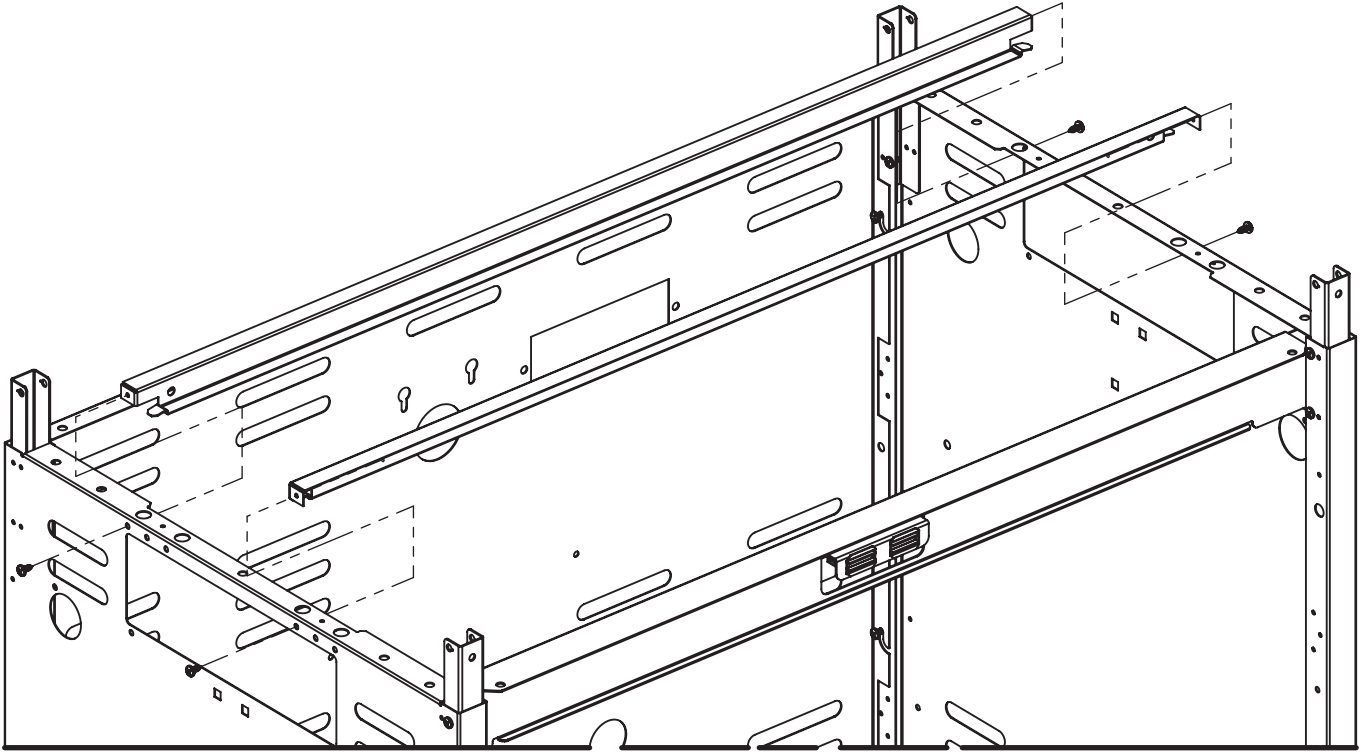
(4)



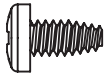


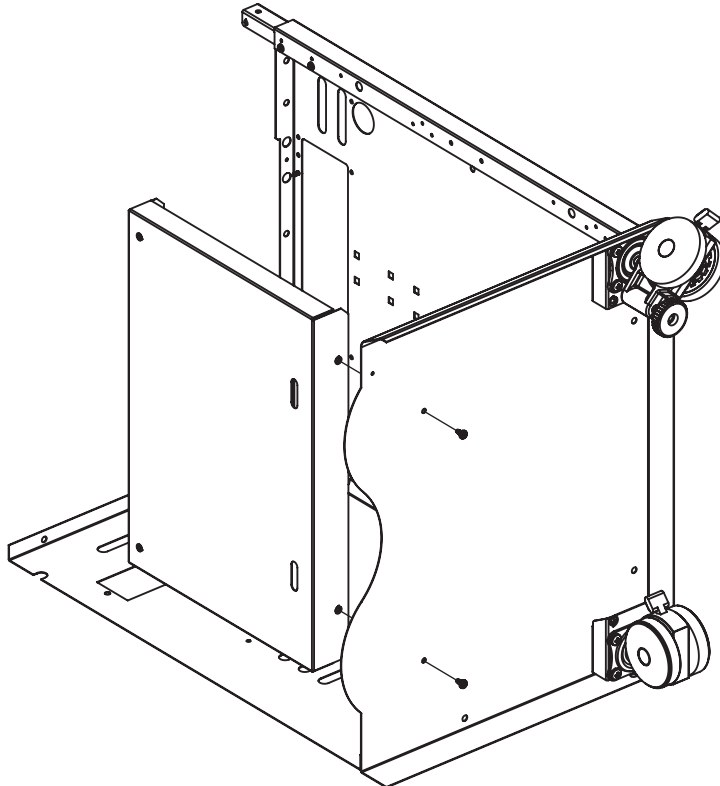
5

(4) 




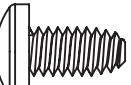
6

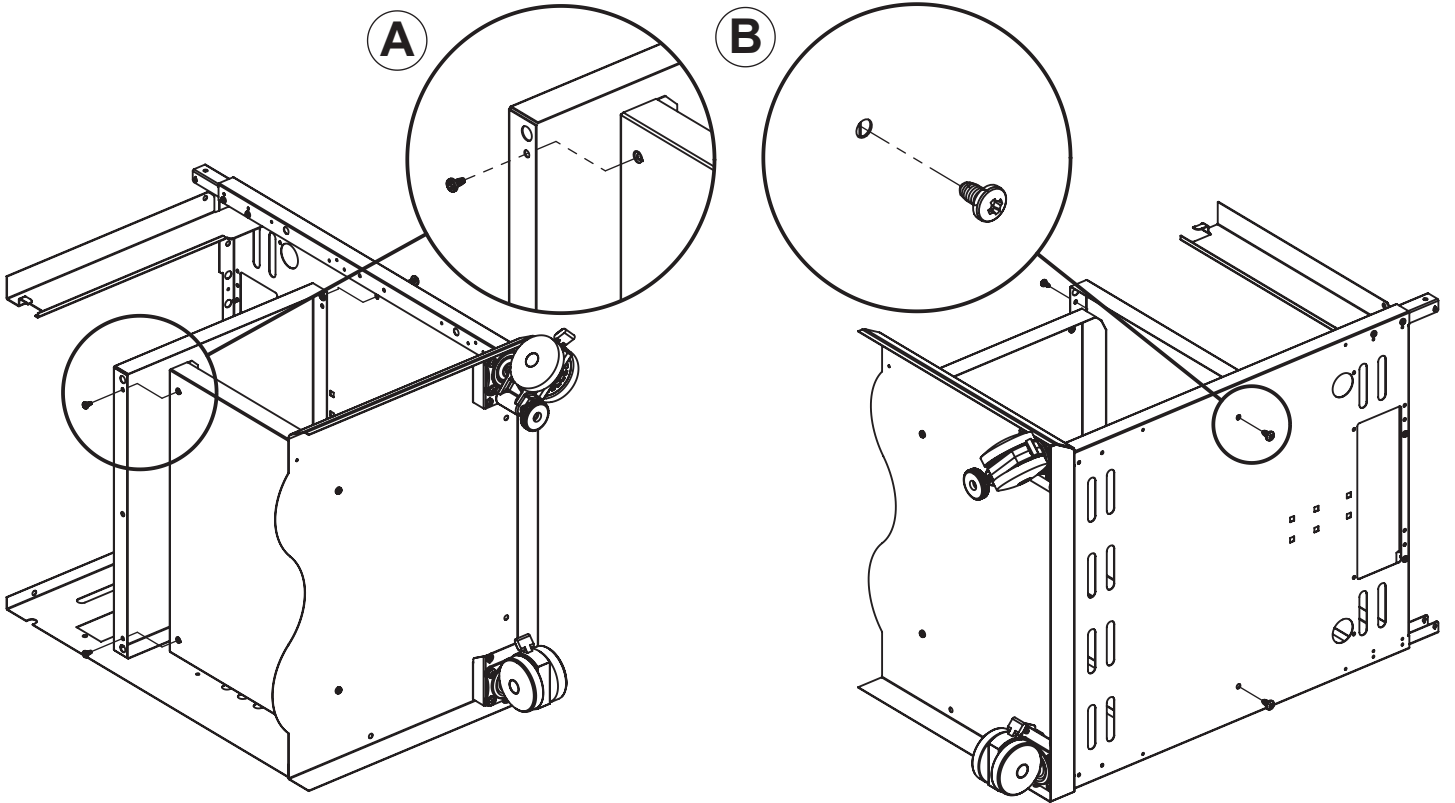
(2) 



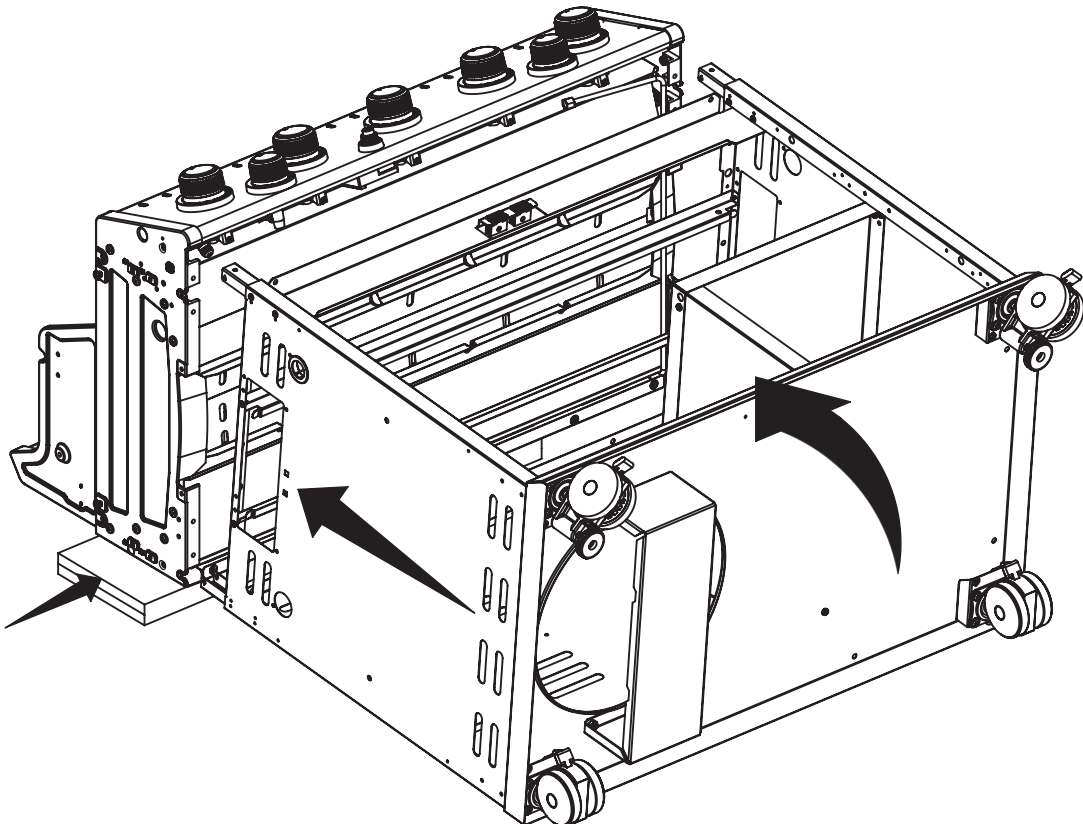
7

(2)  A

(2)  B

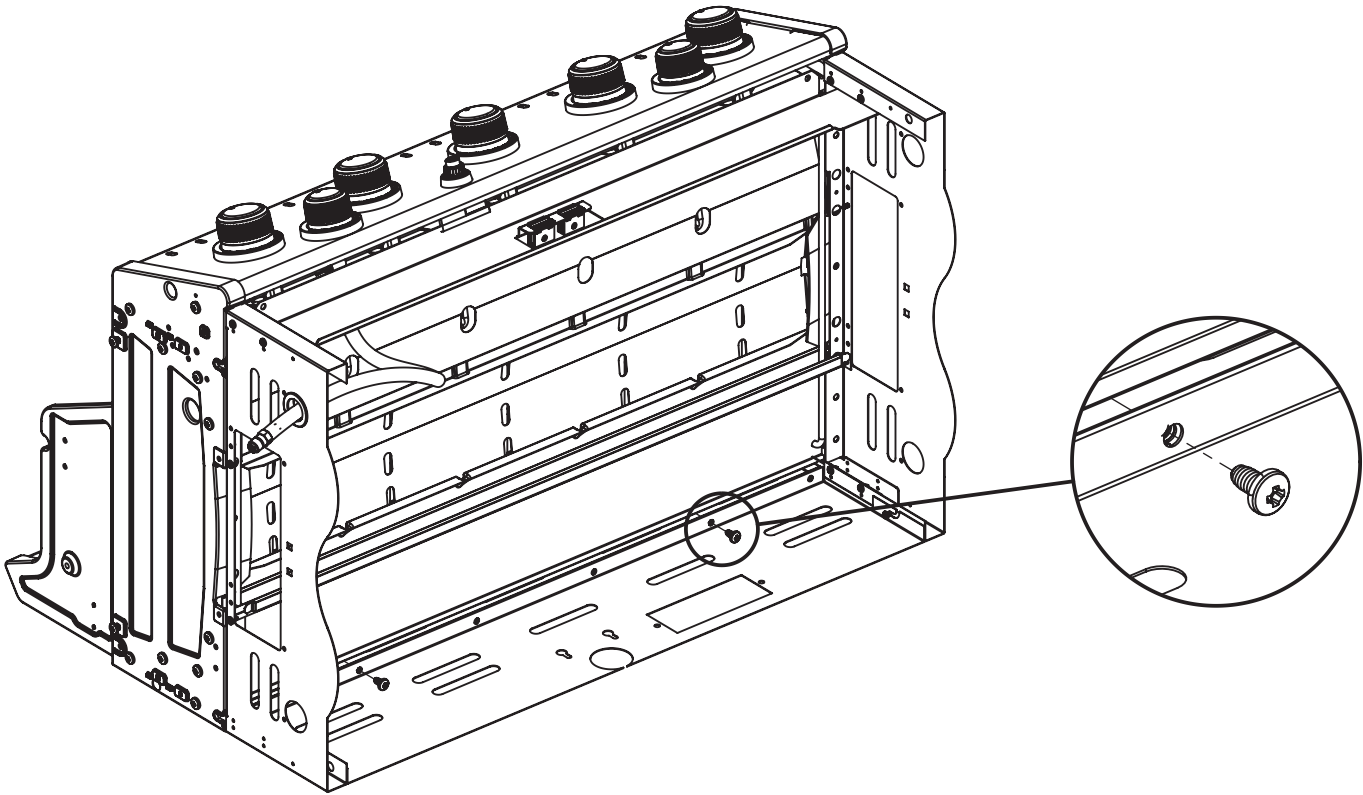
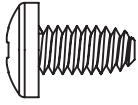


8



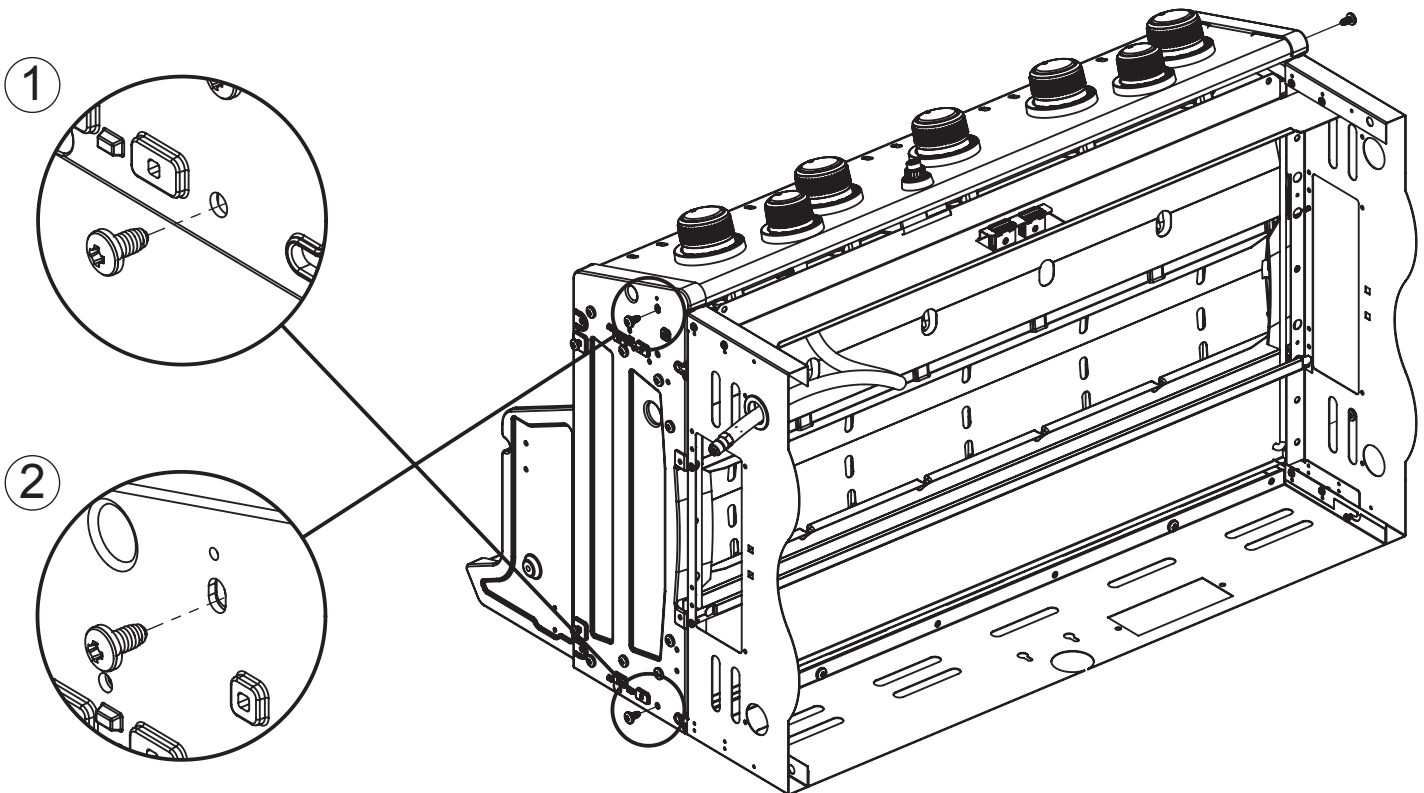
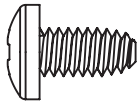
9

(2)

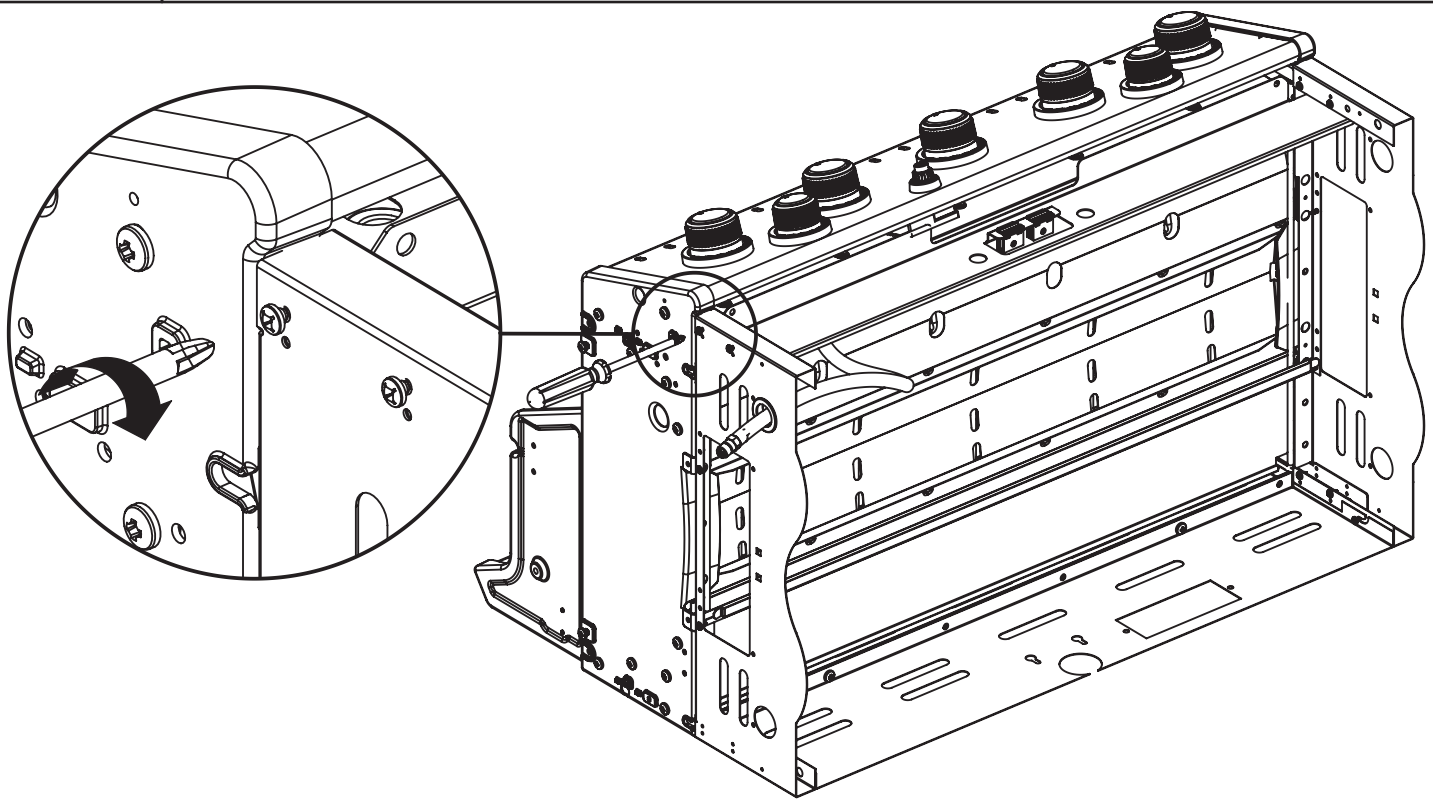


10

(4)

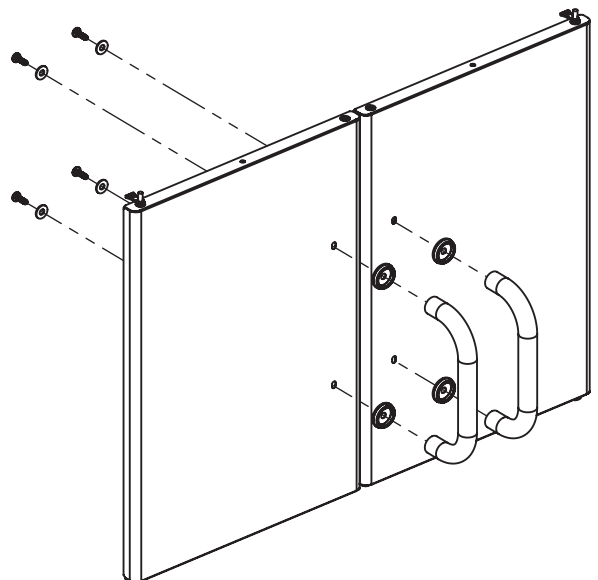
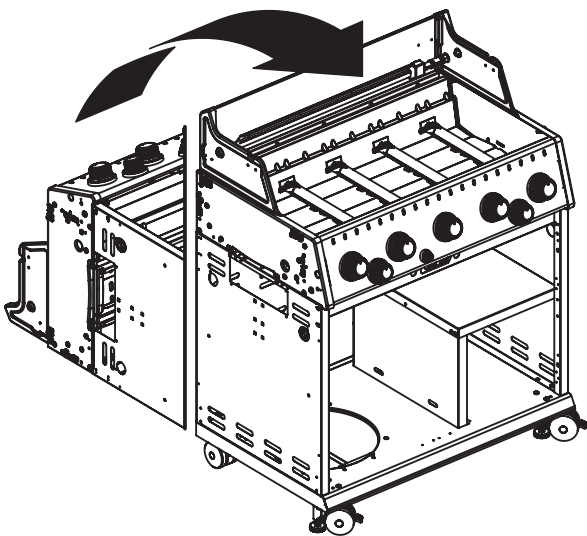
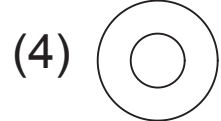
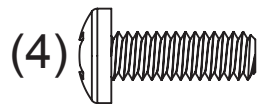


11

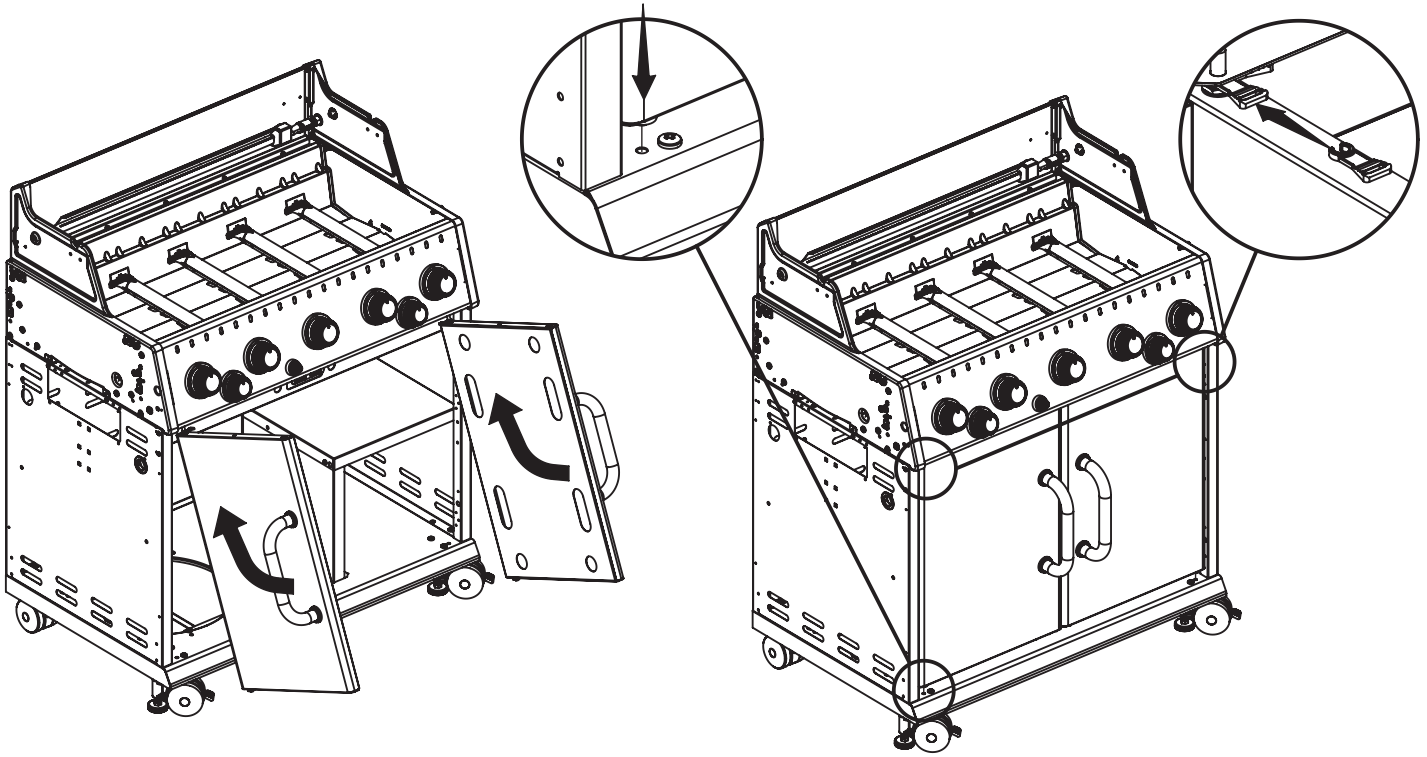
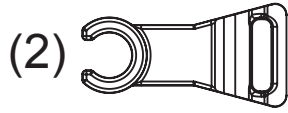


12

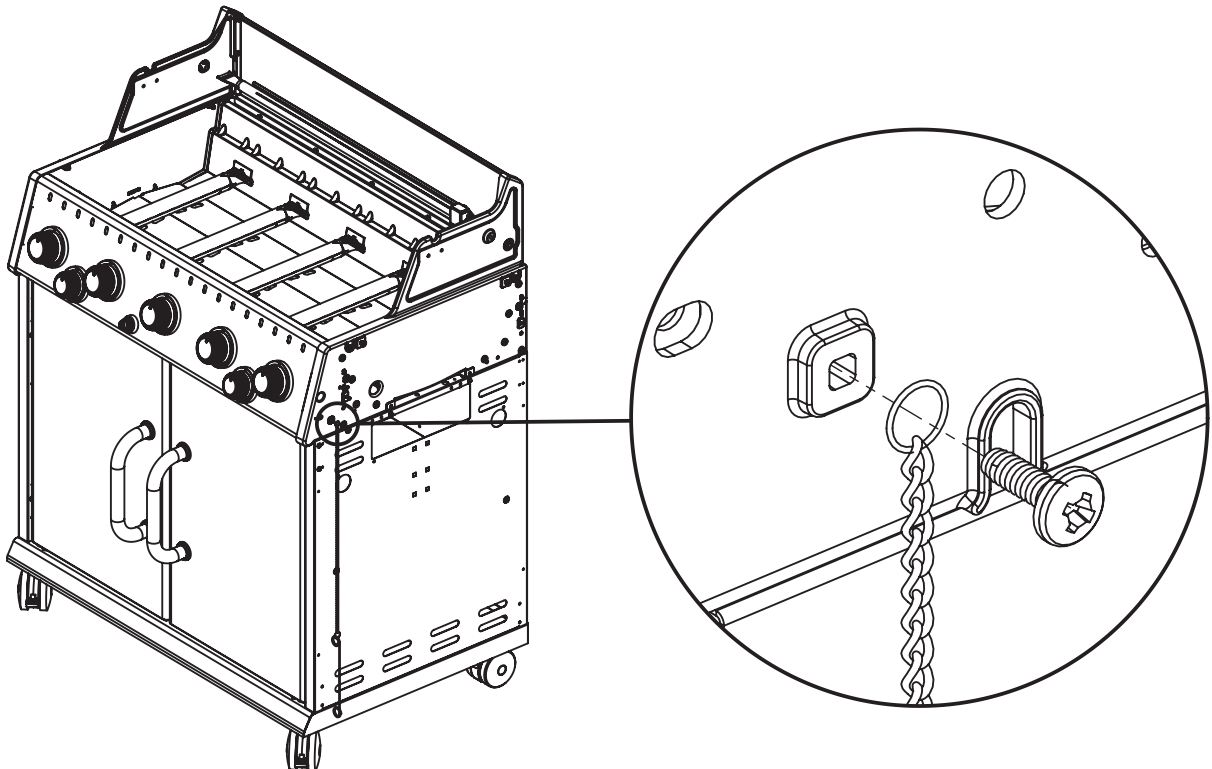
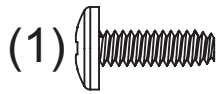
13



14

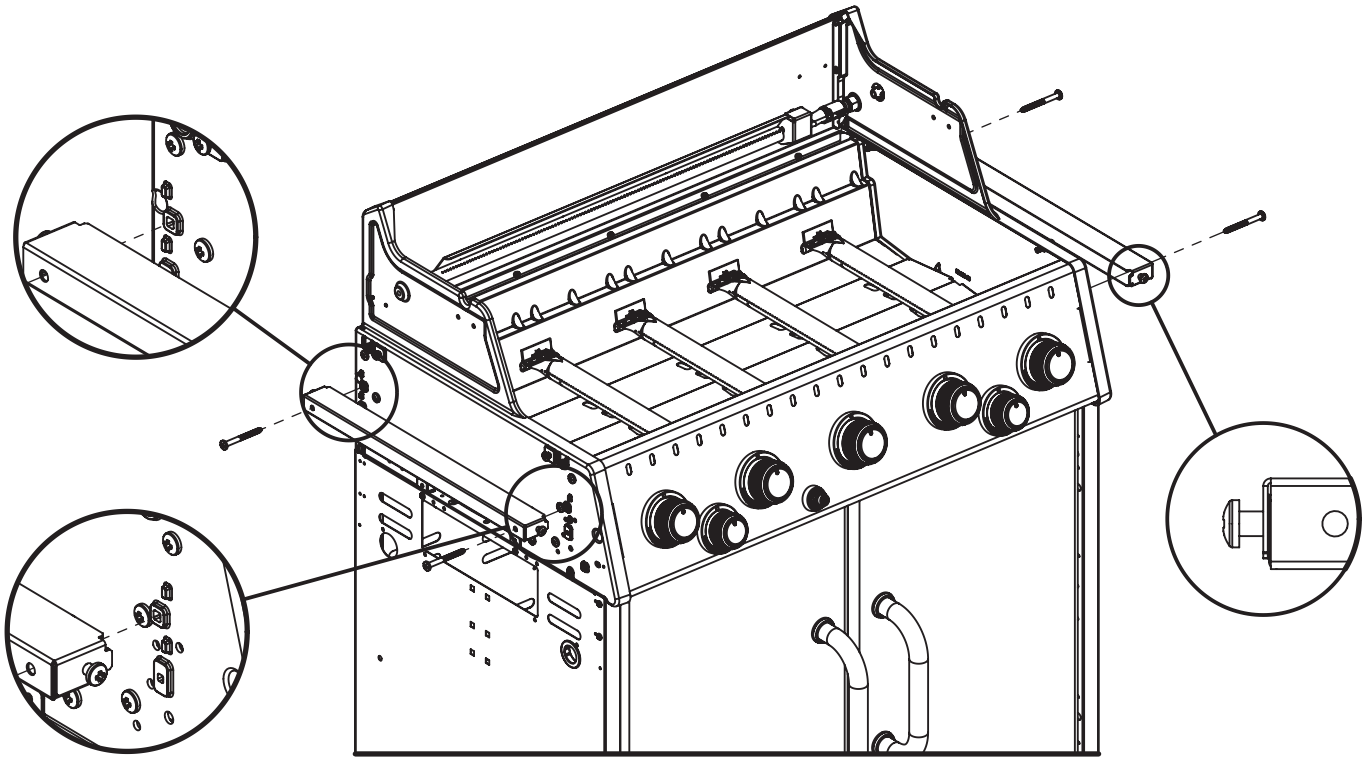
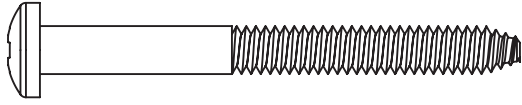


15

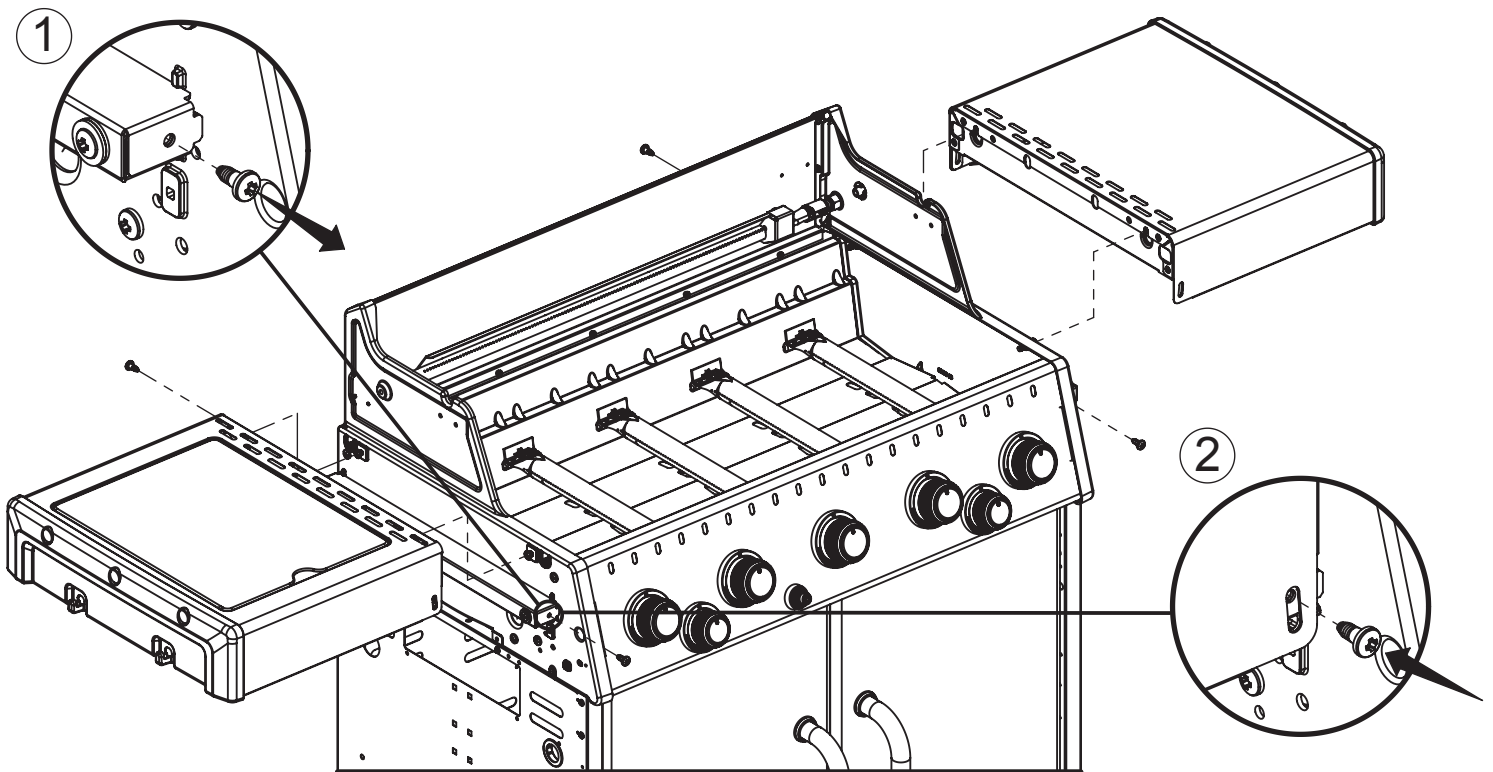


16

(4)

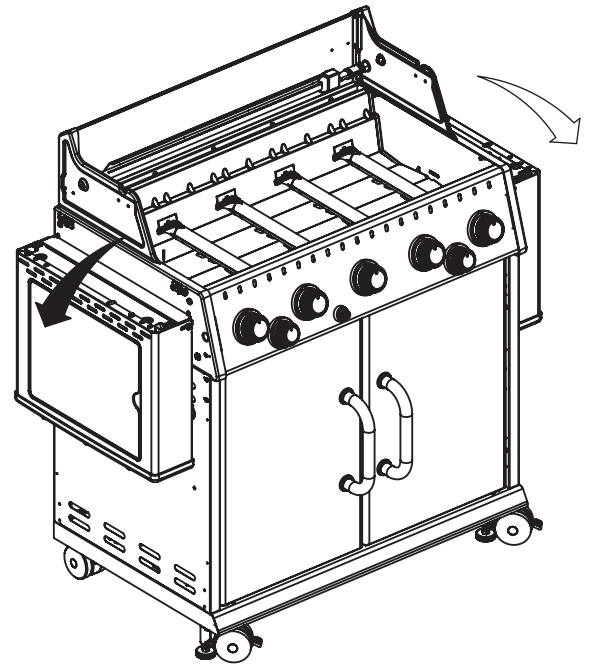
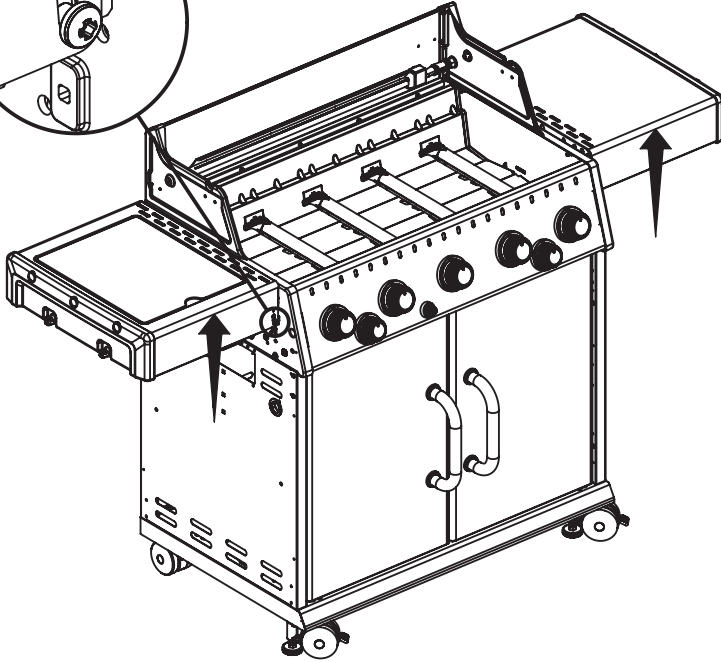
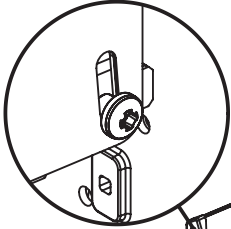


17

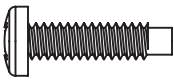


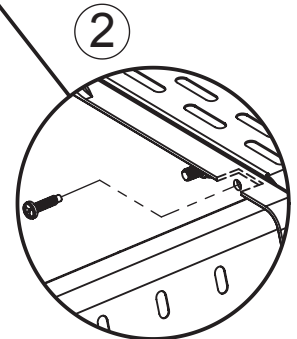
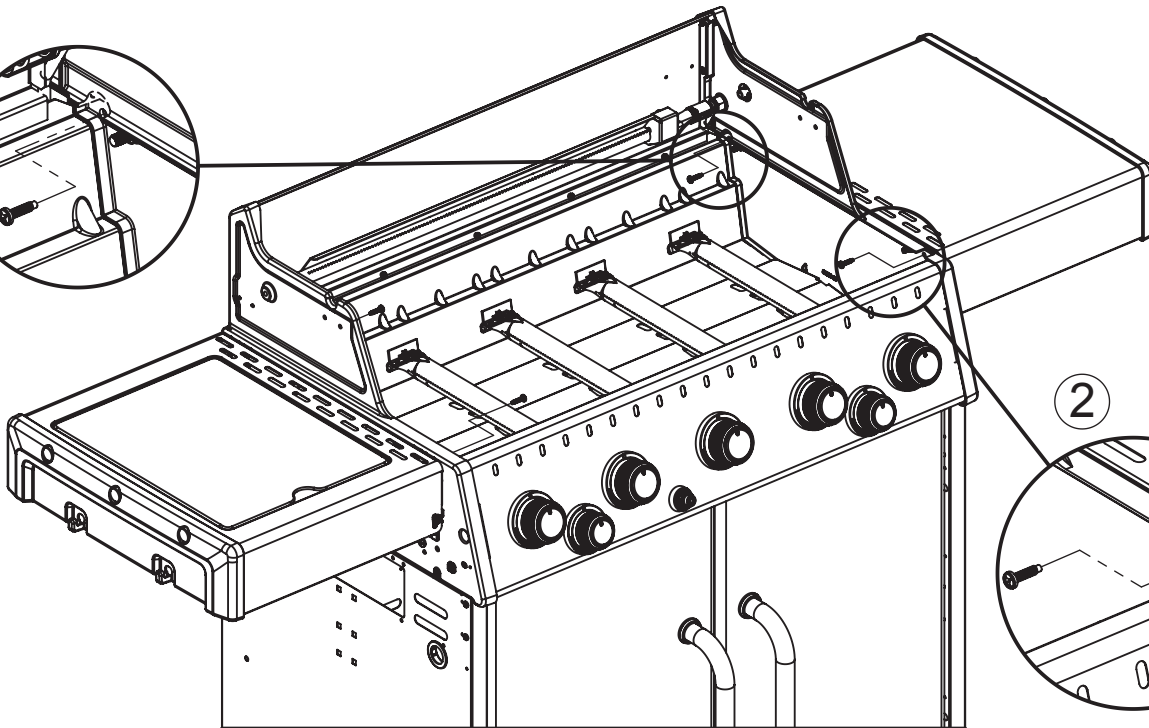
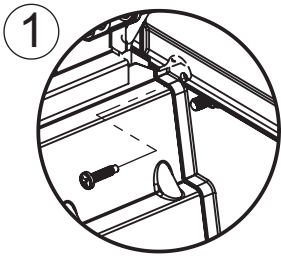


18a

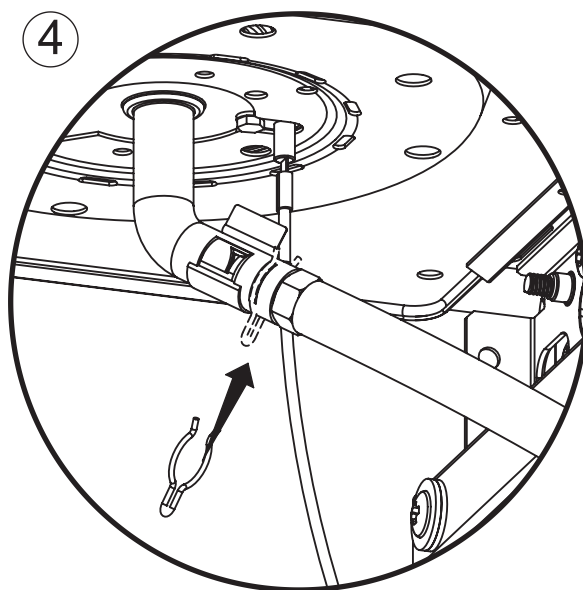
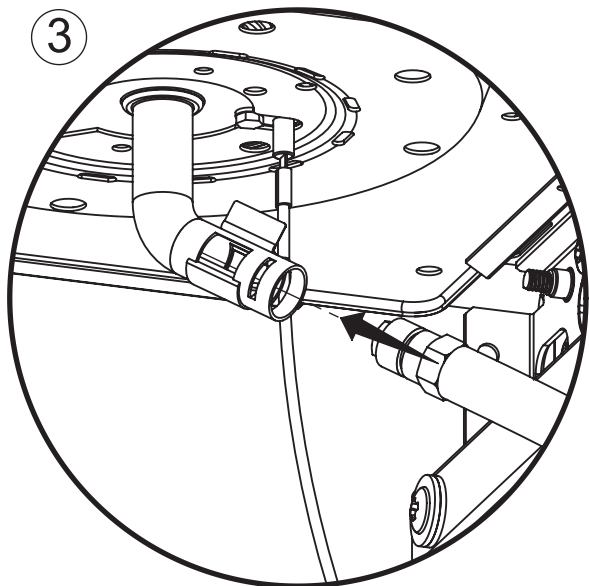
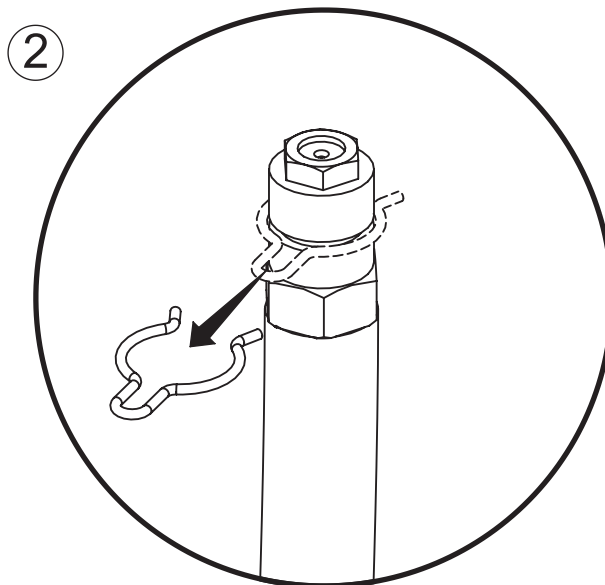
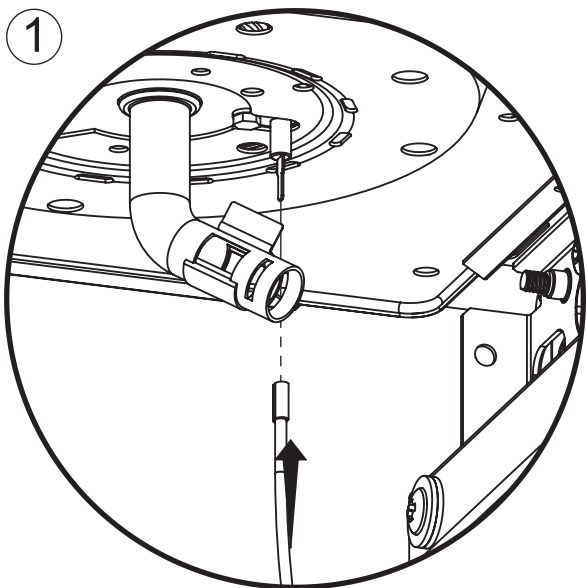
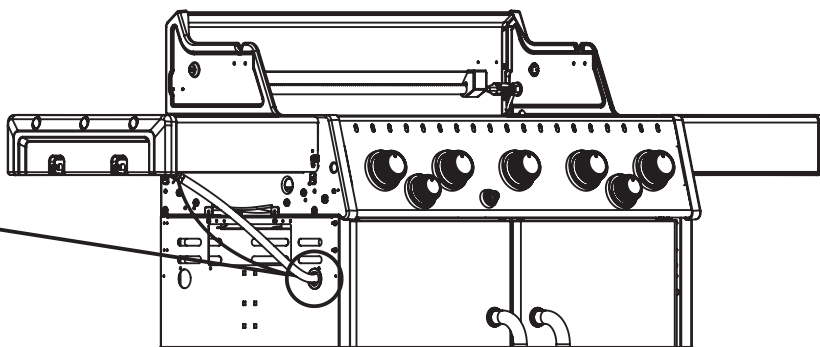
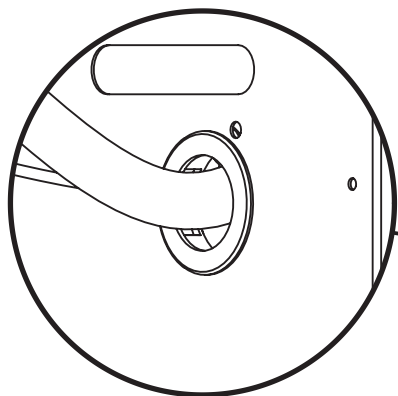
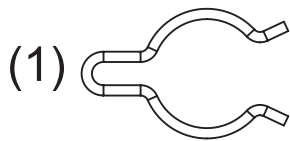


18b

(4) 



19

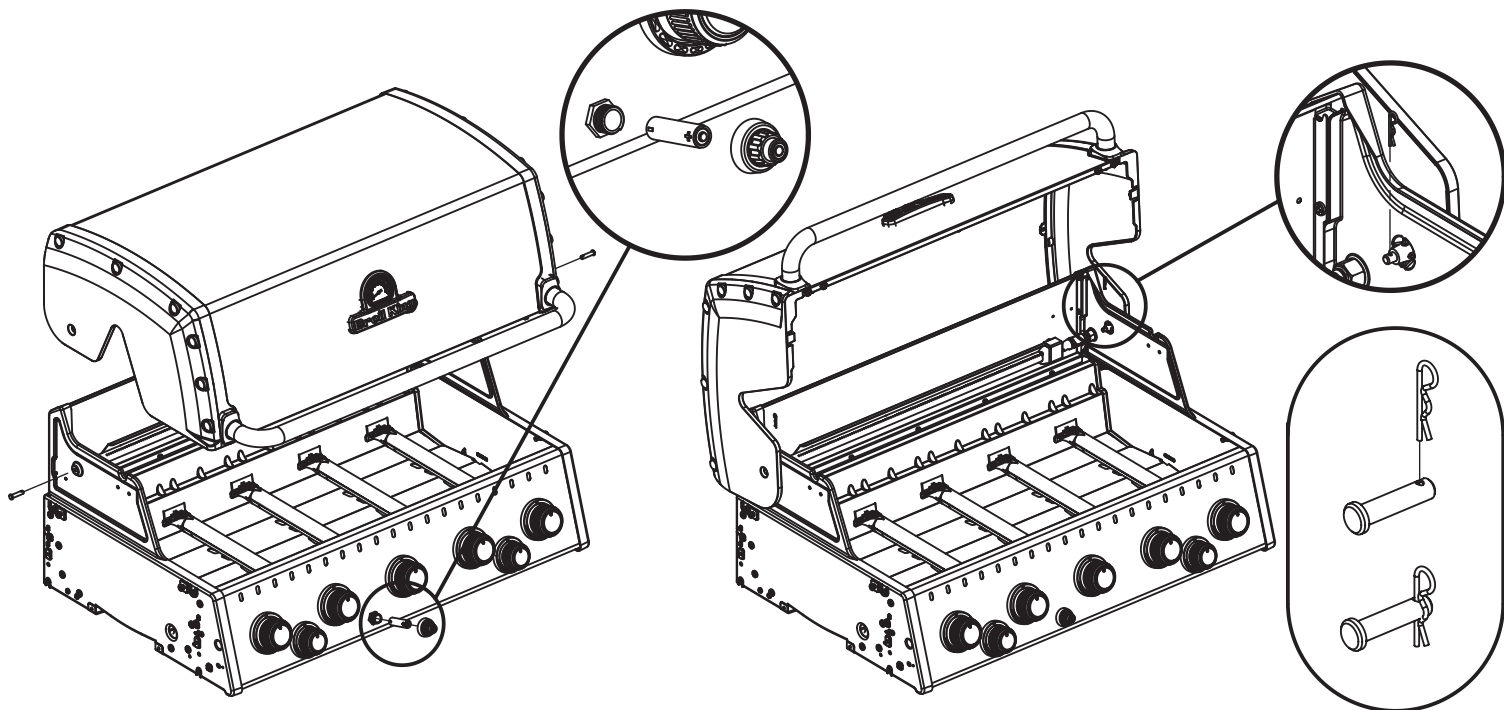




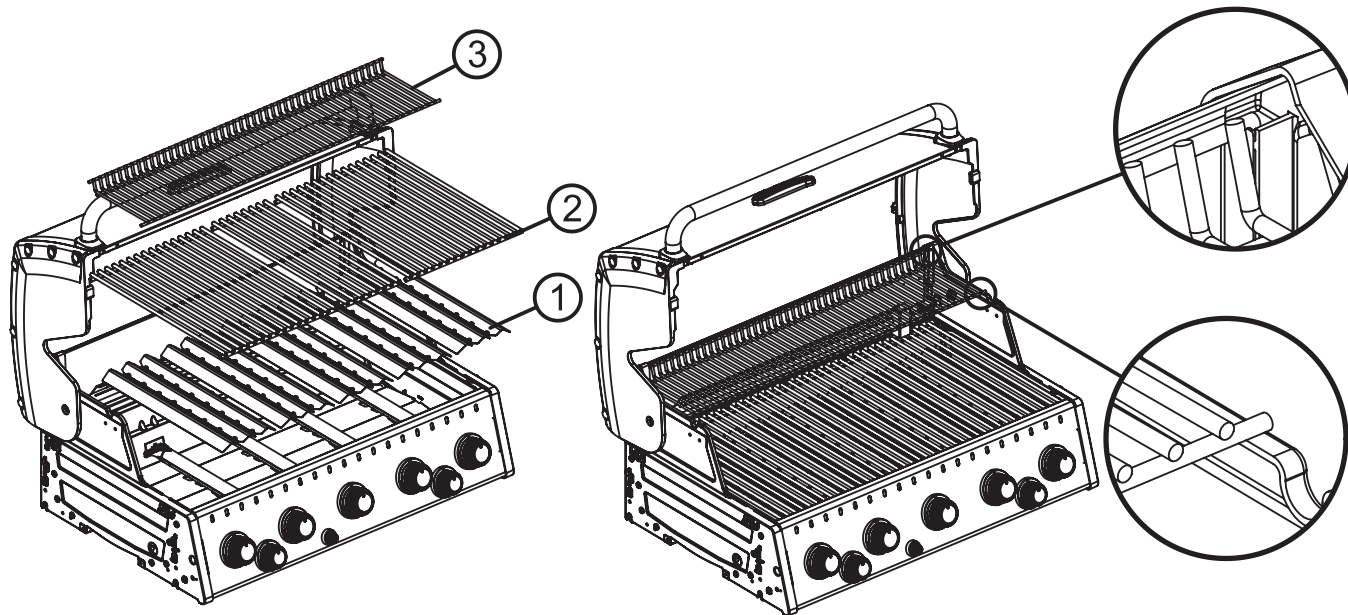
20

(2)  (2) 

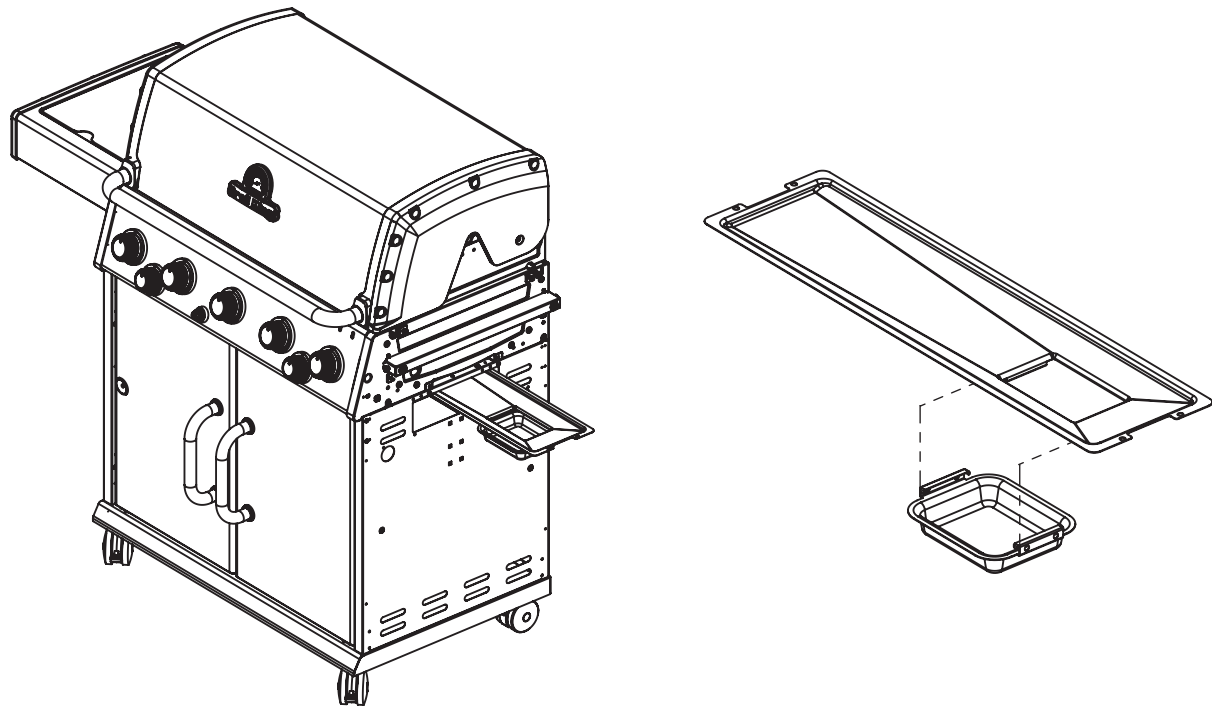
(1) 



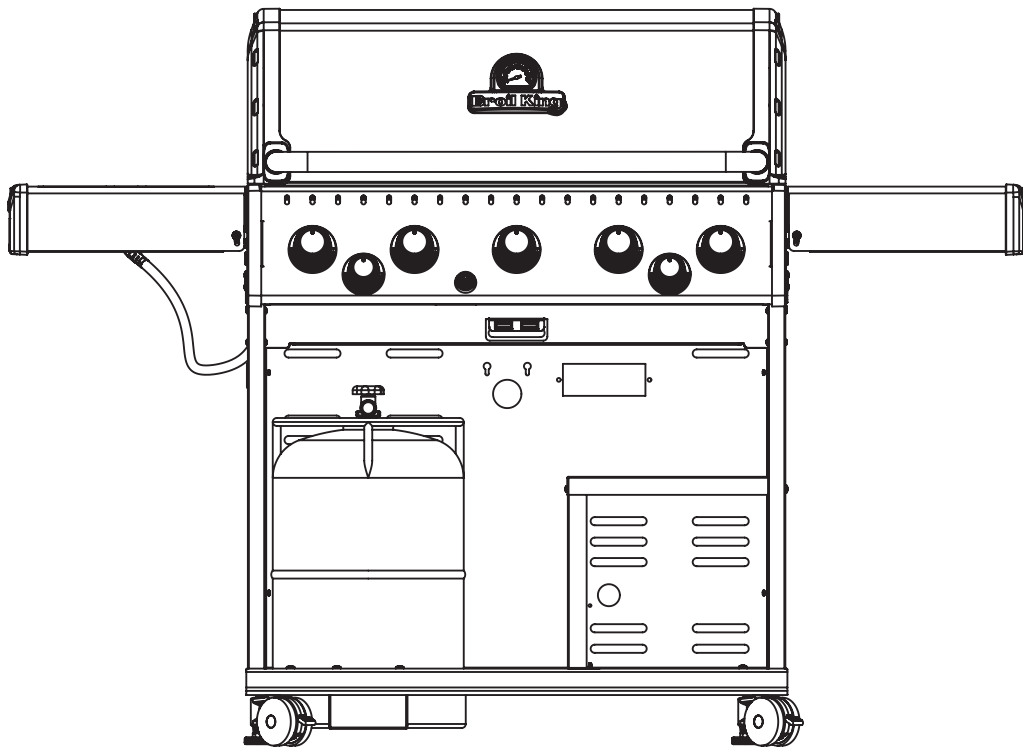
21



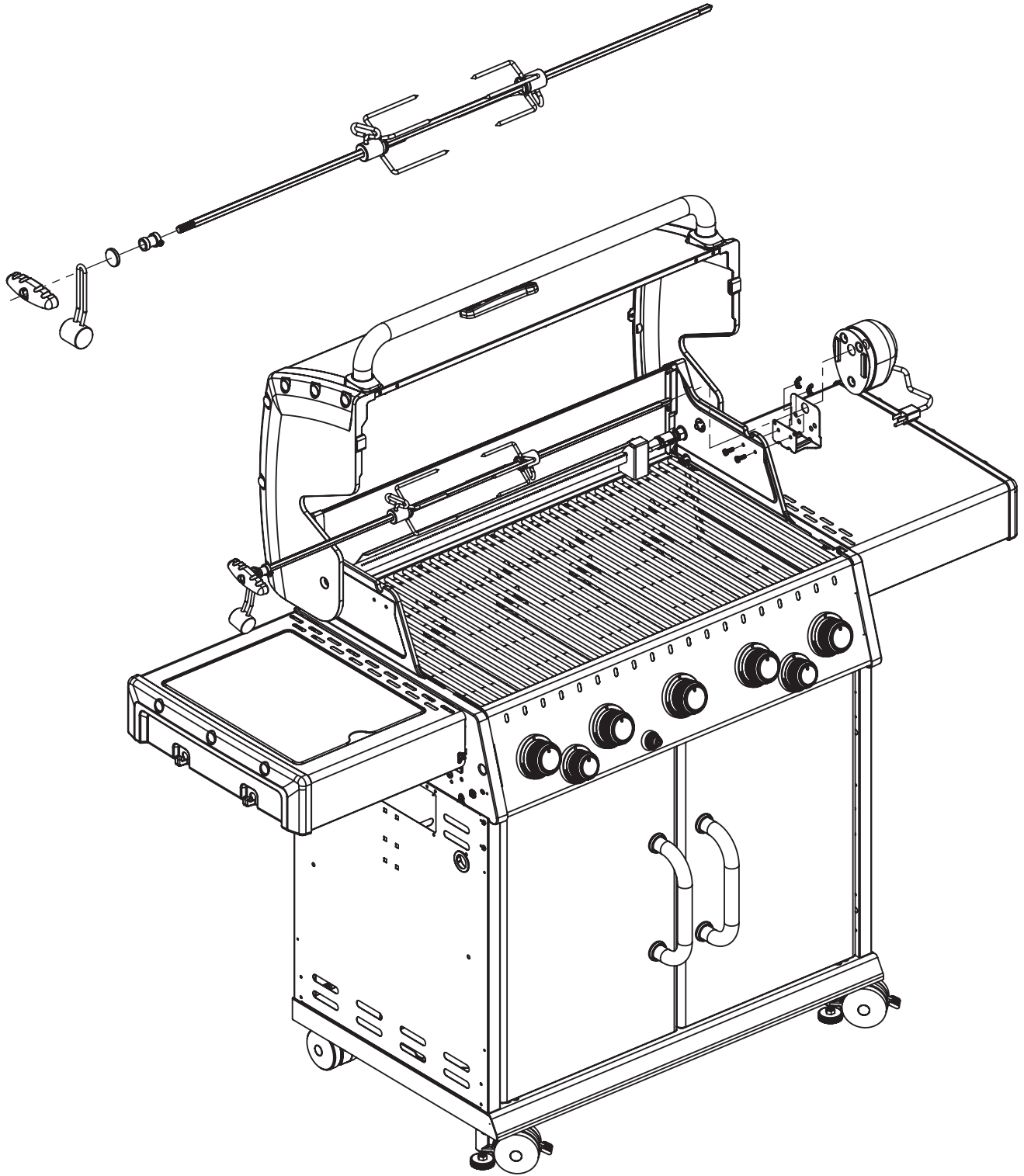
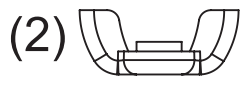
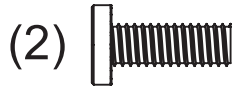
22



23



24





KEY #	ITEM #	DESCRIPTION	9239-82	9239-83	9239-86	KEY #	ITEM #	DESCRIPTION	9239-82	9239-83	9239-86
1	56144-231	LID - SIDE PANEL - LEFT	1	1	1	75	10892-285	CASTER LEVELING	2	2	2
2	56144-211	LID - SIDE PANEL - RIGHT	1	1	1	77	25208-201	SHELF	1	1	1
3	56346-211	LID - OUTER PANEL	1	1	1	78	21036-901	SHELF SUPPORT	1	1	1
4	56246-21	LID - INNER PANEL	1	1	1	80	53201-614	SIDE SHELF	1	1	1
5	24006-12A	HANDLE	1	1	1	84	53201-654	SIDE SHELF - SIDE BURNER	1	1	1
6	54009-936	HANDLE BEZEL	2	2	2	85	53409-138	SIDE SHELF - END CAP	2	2	2
8	10081-BK630	NAMEPLATE	1	1	1	86	10390-E10D	SIDE BURNER	1	1	1
9	10571-6	HEAT INDICATOR	1	1	1	10390-E10E	10390-E10E	1	1	1	
11	52150-931	PANEL - SIDE UPPER - LEFT	1	1	1	87	23000-271	SIDE BURNER - BODY	1	1	1
12	52150-911	PANEL - SIDE UPPER - RIGHT	1	1	1	88	23000-254	SIDE BURNER - COVER	1	1	1
14	52206-111	PANEL INNER - FRONT	1	1	1	89	53140-981	SIDE BURNER GRID	1	1	1
15	52206-121R	PANEL INNER - REAR	1	1	1	92	10342-T21	SIDE BURNER ELECTRODE	1	1	1
16	52139-201	FIREBOX BRACKET	12	12	12	93	53235-201	PIVOT BRACKET	2	2	2
17	27246-904	GREASE SHIELD	1	1	1	100	Y-12220	GROMMET	1	1	1
18	52066-91	HEAT SHIELD - FRONT	1	1	1	108	10693-099	REAR BURNER ORIFICE	1	1	1
19	52046-92	HEAT SHIELD - REAR	1	1	1	10693-104	10693-161	1	1	1	
20	57159-111	CONTROL COVER - BRACKET	2	2	2	110	S15271	HANDLE	1	1	1
22	52306-121	PANEL - REAR	1	1	1	111	S15270	BALANCE	1	1	1
23	52316-151	PANEL - HOOD	1	1	1	112	S15299	WASHER	1	1	1
25	52909-104D	BURNER - MAIN	5	5	5	113	S15263	BUSHING	1	1	1
25	52909-104E	BURNER - MAIN	5	5	5	114	S15259	ROTISSERIE ROD	1	1	1
52909-104NGE			5	5	5	115	S15287	4 PRONG FORK	2	2	2
26	22226-014	COLLECTOR BOX - FRONT LOWER	1	1	1	116	57039-901	ROTISSERIE BRACKET	1	1	1
27	22216-014	COLLECTOR BOX - FRONT UPPER	1	1	1	130	Y-12835	SCREW - #6 X 1/4	2	2	2
28	52026-304BAR	CONTROL COVER	1	1	1	131	S21125	SCREW - #8 X 3/8	13	13	13
29	59006-072	CONTROL ASSEMBLY	1	1	1	132	S21124	SCREW - #8 X 1/2	12	12	12
29	59006-075	CONTROL ASSEMBLY	1	1	1	133	Y-12646	SCREW - SHOULDER #8 X 1/2	12	12	12
30	S13470-073	HOSE - SIDE BURNER	1	1	1	134	Y-29304	SCREW - #10-24 X 3/8	10	10	10
30	S13470-079	HOSE - SIDE BURNER	1	1	1	135	S35094	SCREW - #10-24 X 5/8	1	1	1
30	S13470-118	HOSE - SIDE BURNER	1	1	1	136	Y-29310	SCREW - #10-24 X 3/4	4	4	4
33	27906-354E	BURNER - ROTISSERIE	1	1	1	137	Y-12865	SCREW - 1/4-20 X 1/2	48	48	48
35	50809-957	TUBE - REAR BURNER ASSEMBLY	1	1	1	140	Y-12310	SCREW - 1/4-20 X 3/4	4	4	4
36	Y-11990	NUT HEX	1	1	1	142	Y-11562	SCREW - 1/4-20 X 2 1/2	4	4	4
38	22002-268	CONTROL BEZEL	5	5	5	146	10240-23	SCREW - SHOULDER 1/4-20 X 5/8	4	4	4
39	22001-168	CONTROL BEZEL	2	2	2	151	Y-11793	NUT - 1/4-20	22	22	22
40	22001-768	CONTROL KNOB	5	5	5	152	Y-11598	WING NUT - 1/4-20	1	1	1
41	22001-668	CONTROL KNOB	2	2	2	153	S21061	WING NUT - #10-24	2	2	2
42	10342-251	ELECTRONIC IGNITOR	1	1	1	160	S21255	WASHER	7	7	7
43	10342-E13	ELECTRODE	3	3	3	170	S21235	HINGE PIN	2	2	2
44	52209-404	FLAV-R-WAVE ®	5	5	5	171	S21233	CLIP	2	2	2
45	52005-281	CAST GRID	5	5	5	172	Y-11544	BURNER SCREW	2	2	2
46	52006-991	GRID - WARMING RACK	1	1	1	173	10240-19	DOOR HINGE PIN - TOP	4	4	4
47	57056-902	GREASE TRAY	1	1	1	174	10240-20	DOOR HINGE PIN - BOTTOM	2	2	2
48	21036-991	GREASE TRAY - RAIL	2	2	2	175	Y-12127	DOOR CLIP	2	2	2
49	52009-902	GREASE PAN	1	1	1	176	Y-12124	DOOR HINGE COVER	2	2	2
50	51176-131A	DOOR - LEFT	1	1	1	177	Y-12222	MAGNET	2	2	2
51	51176-111A	DOOR - RIGHT	2	2	2	178	Y-12223	MAGNET - SNAP IN	2	2	2
55	21071-13	DOOR HANDLE	2	2	2	179	Y-11981	CHROME SCREW 1/4-20	18	18	18
56	21070-13	HANDLE BEZEL	4	4	4	180	SP11-25	LID BUMPER	2	2	2
60	21109-905	CABINET - SIDE PANEL	2	2	2	181	Y-11231	LID BUMPER - ROUND	2	2	2
61	21306-925	CABINET - REAR PANEL	1	1	1	182	20005-000	MATCH LIGHT CHAIN	1	1	1
65	51616-235	CABINET - LOWER BASE	1	1	1	184	S21362	SPRING	1	1	1
66	21039-301	TANK BRACKET	1	1	1	185	S15245	MOTOR	1	1	1
67	51336-211	MAGNET BRACKET	1	1	1	186	S21242	CLIP	5	5	5
68	57139-111	U-CHANNEL BRACKET	2	2	2						
69	57139-131	U-CHANNEL BRACKET	2	2	2						
73	51039-951	CASTER BRACKET	4	4	4						
74	10892-23	CASTER	2	2	2						

